

Figure 1

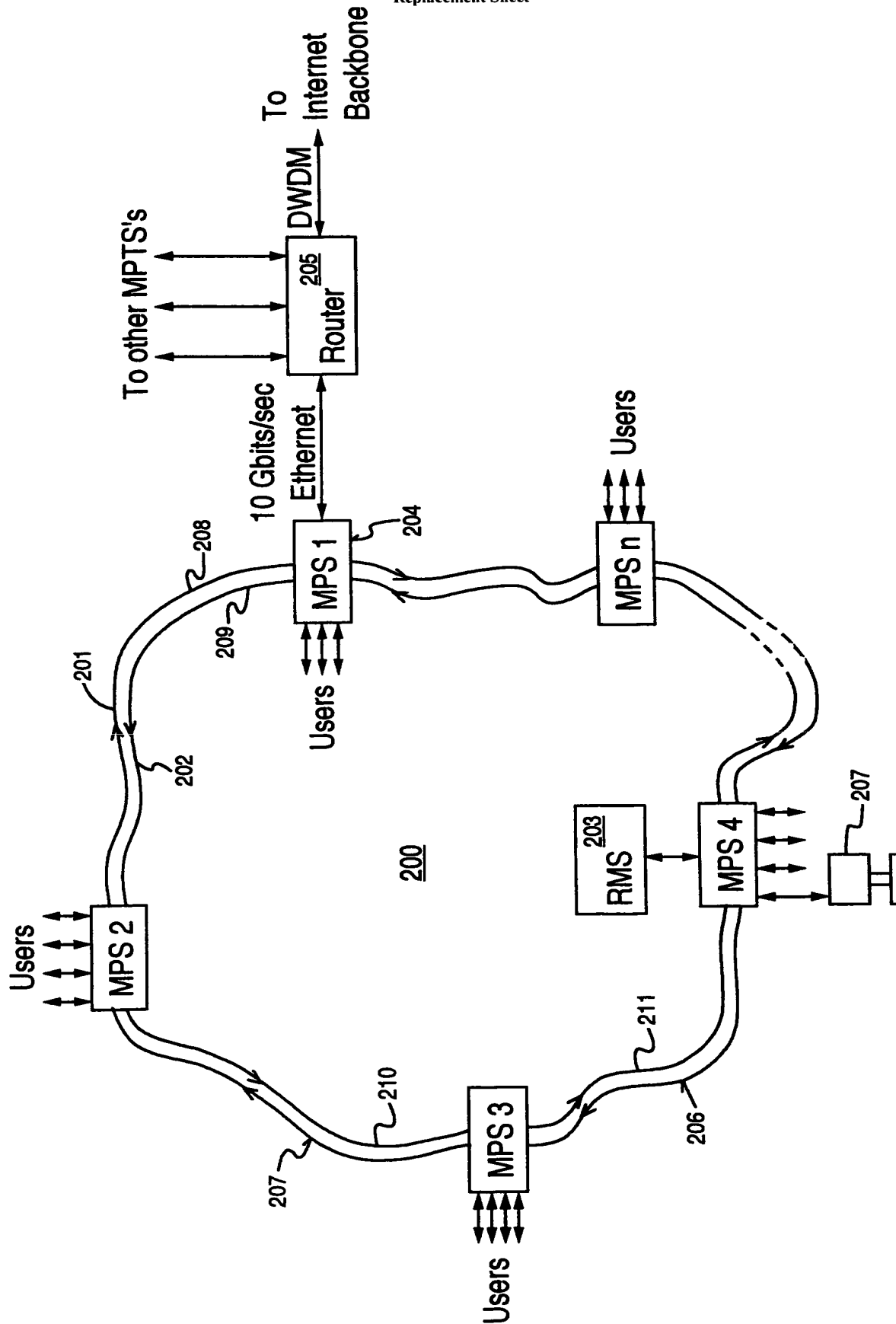


Figure 2

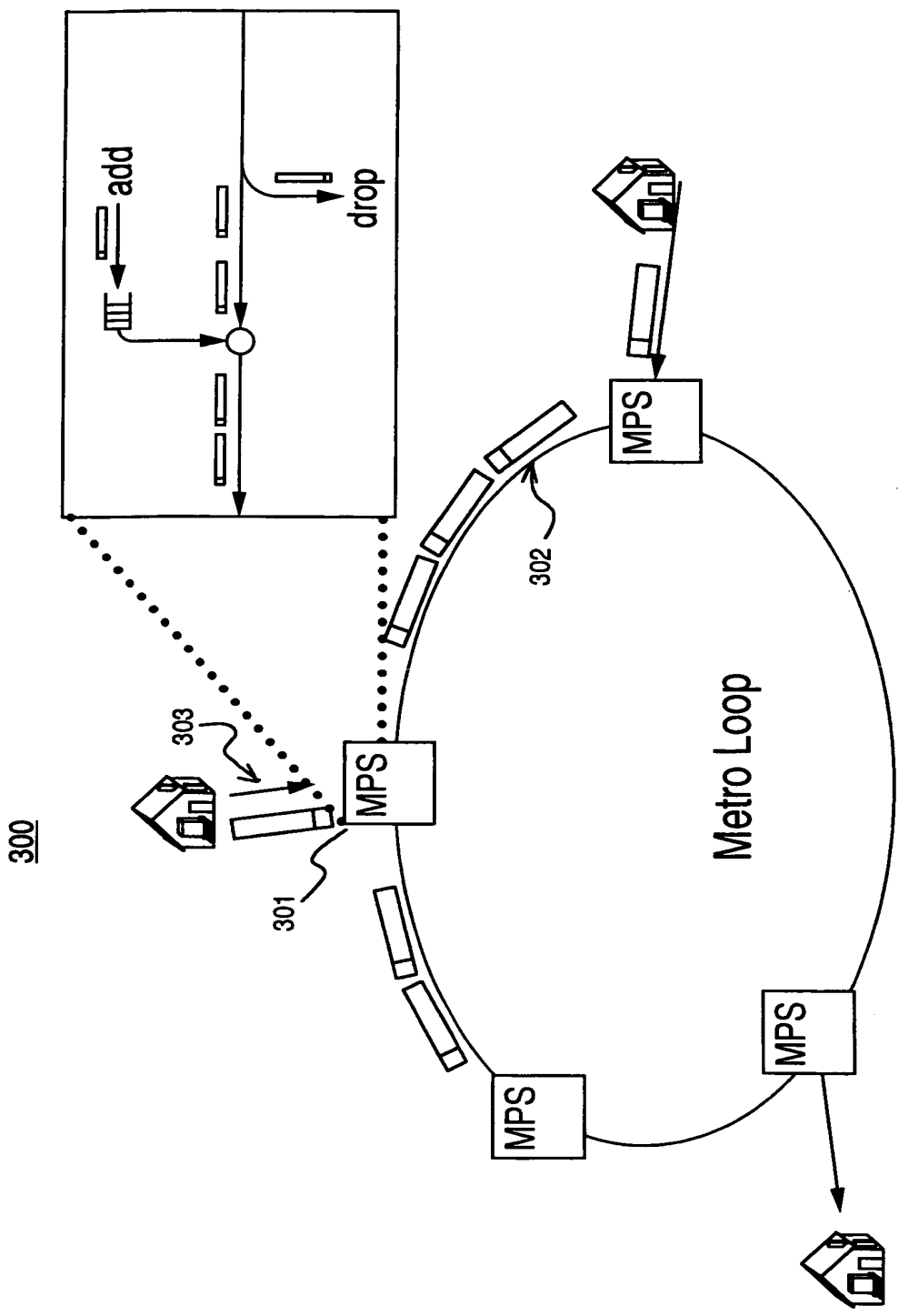


Figure 3

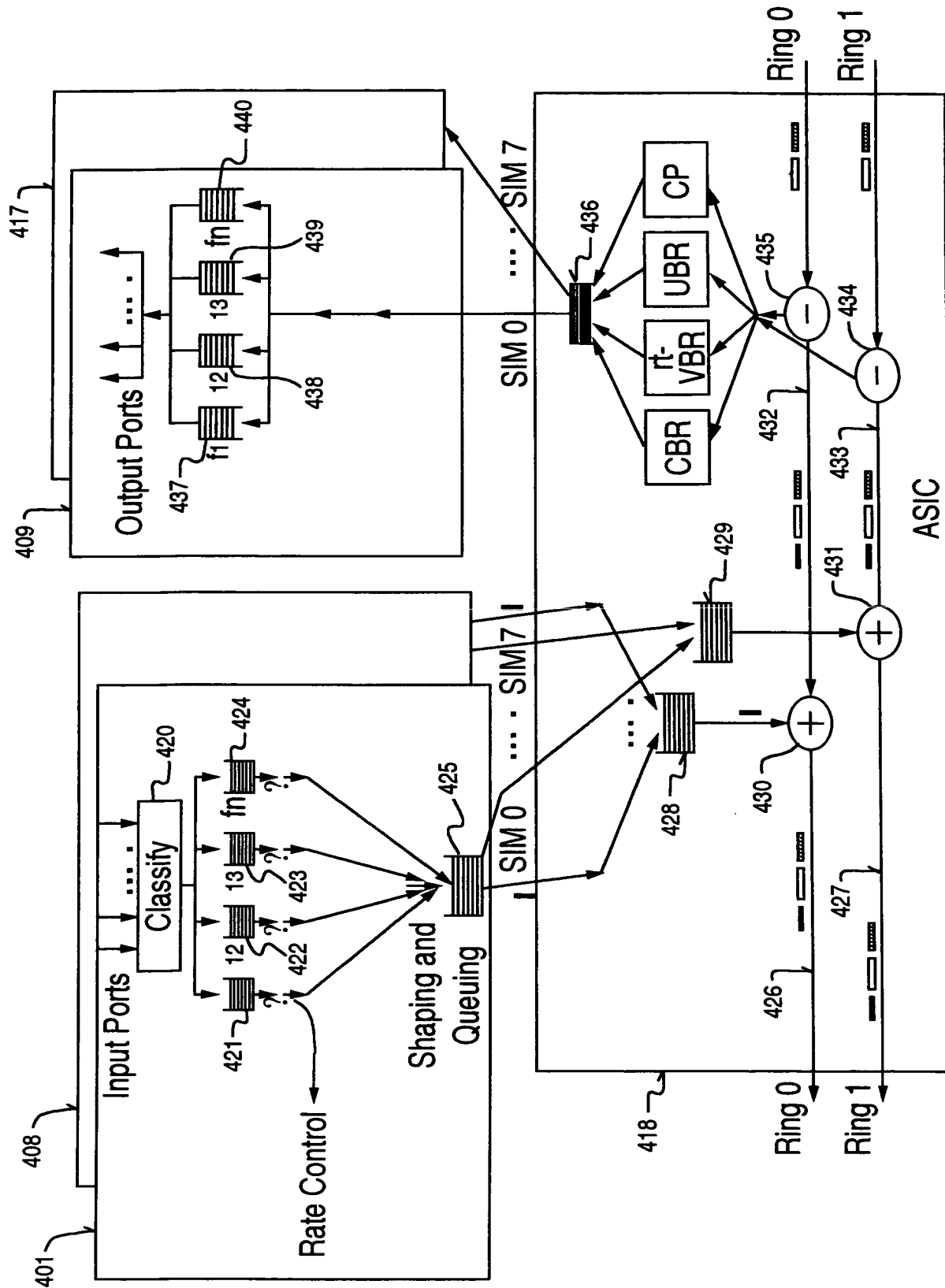


Figure 4

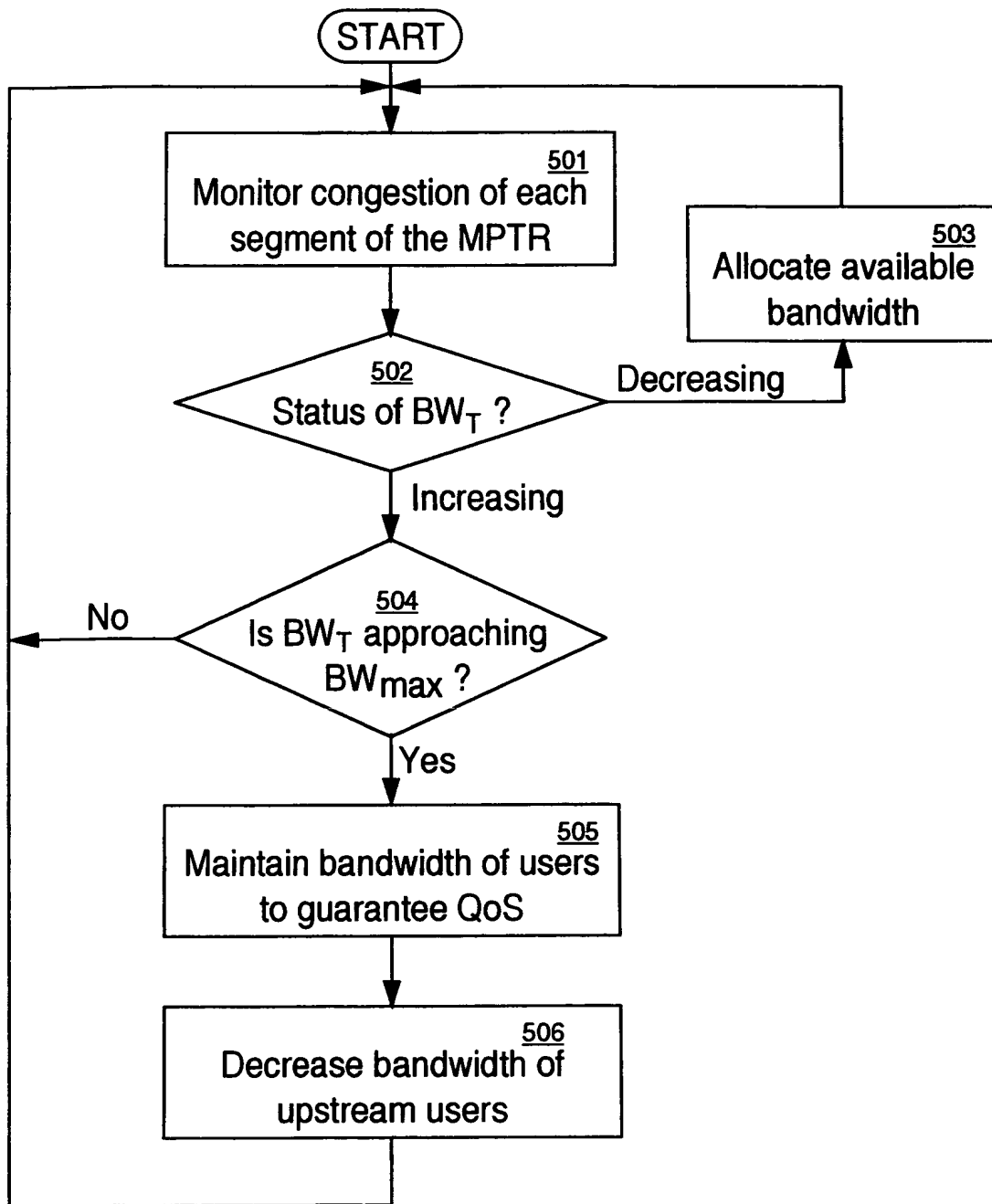


Figure 5

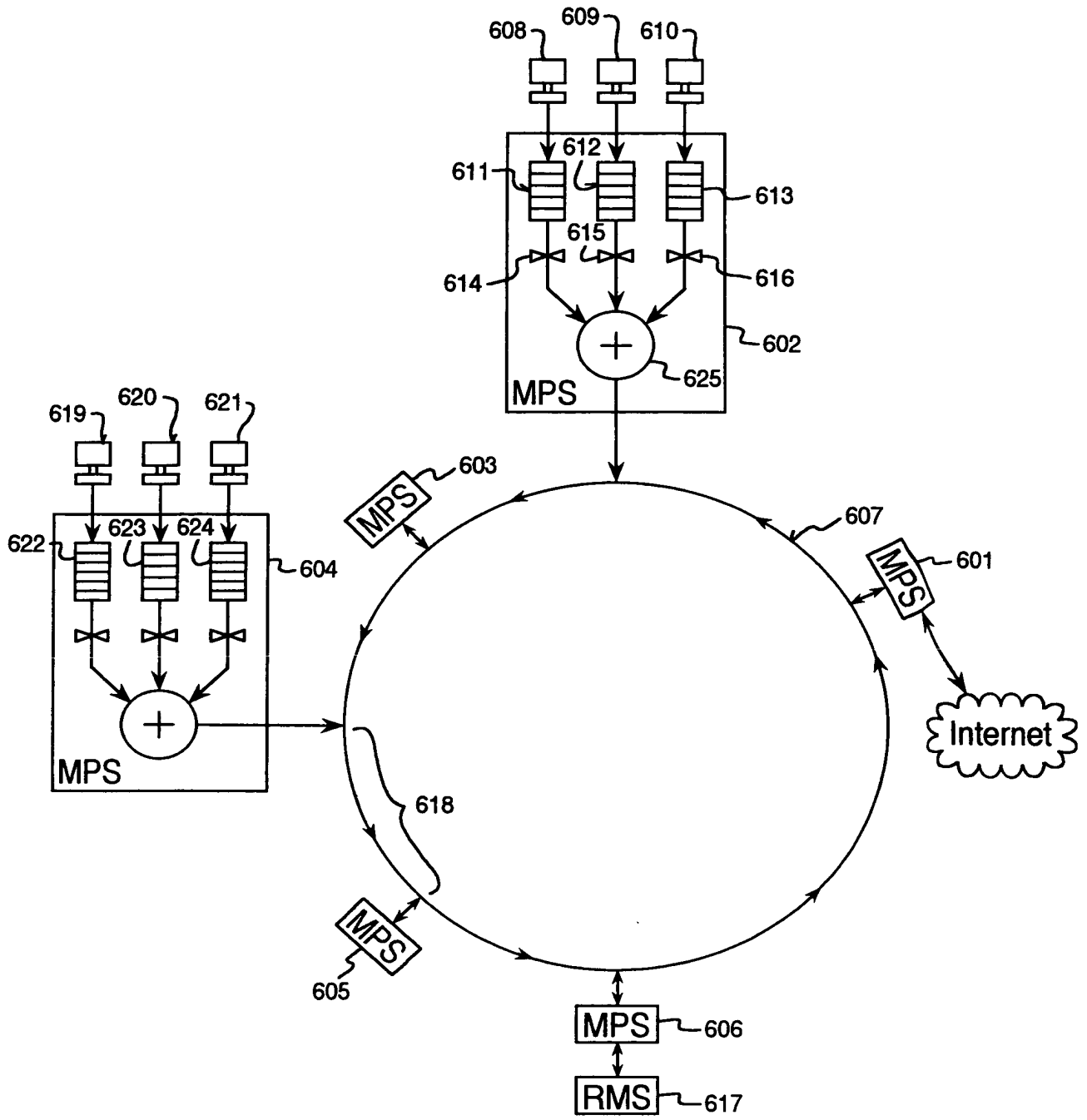


Figure 6

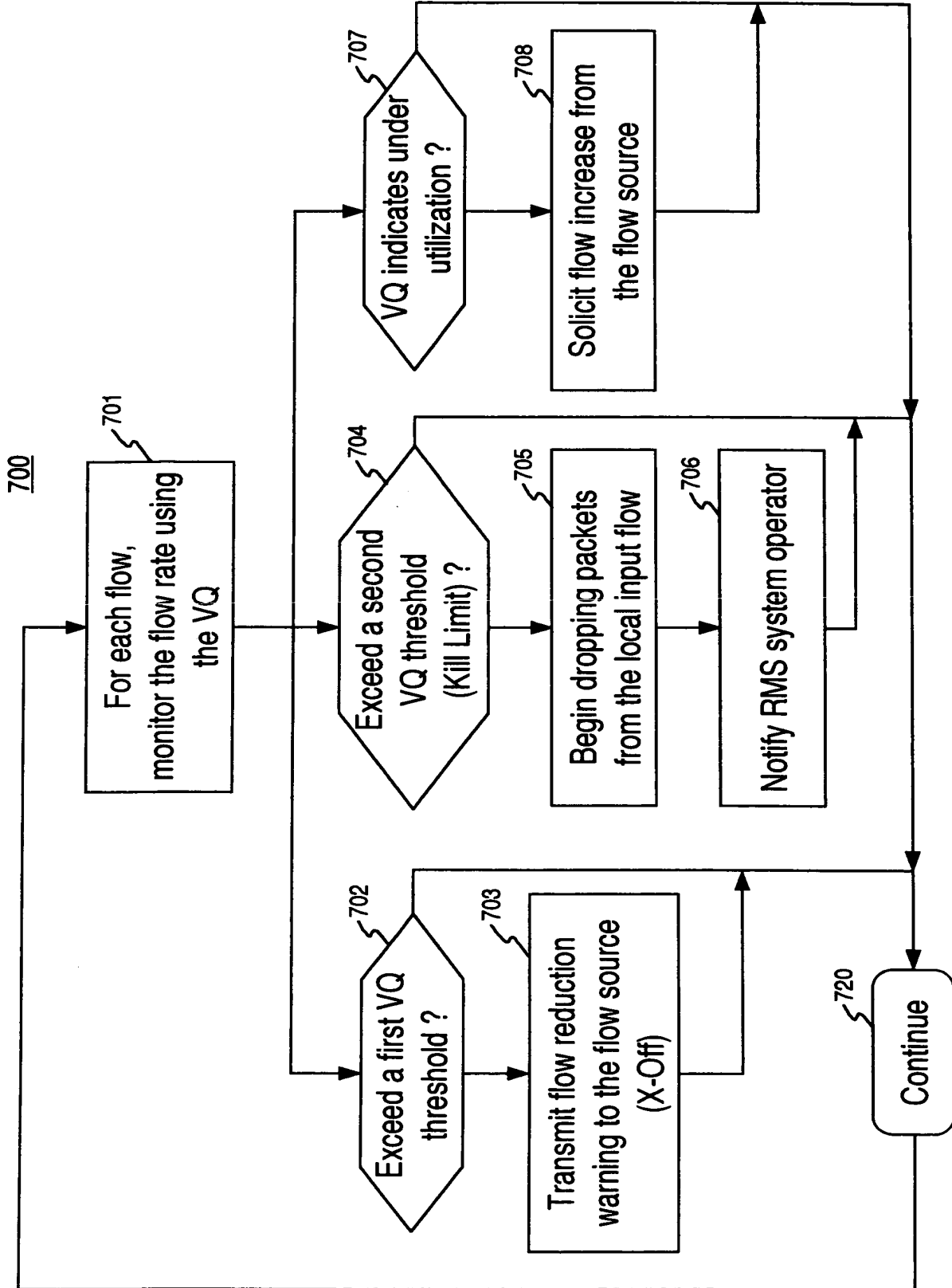


Figure 7

↑ Continued on sheet 9 / 9 ↑

Flow ID	Valid	X-OFF	Action	P_Ring	C_Ring	Dist.	SIM Fanout	M/U	Protection	BE Weight
0 bit	1 bit	1 bit	1 bit	1 bit	1 bit	2 bits	9 bits	1 bit	1 bit	5 bits
1	1	No	Kill	R1		Transit	0000000000	0	Guarantee	0
2	1	Yes	Pass	R2		receive	1000000000	0	BE(STD)	1
3	1		Pass	R2		Transit	0000000000	0		0
4	1		Pass	R1		Insert	0000000001	0		63
5	1		Pass	R1		copy	1000000000	1	Guarantee	0
.										
.	0									
.										
999999	1					Insert				0

Figure 8



Reserved rate	R Finish time	S Finish time	R_OR	S_OR	Reserve	Note
14 bits	32 bits	32 bits	1 bit	1 bit	4 bits	8.4 sec @ 5ns clk
10 Mbps	435ABC	435ABC				Backlogged flow
80 Mbps	NULL	NULL				Non-Backlogged flow
NULL	NULL	NULL				Unused entry
1 Gbps	3535DF	3535DF				Backlogged flow
100 Mbps	.	.				Pickup for Multicast
.	.	.				.
.	.	.				.
.	.	.				.
8.5 Gbps	NULL	NULL				Non-Backlogged flow

↑ Continued from sheet 8 / 9 ↑

Figure 8 (Continued)